



# Fecon® Bull Hog® Skid Steer Pricing



## Included with a Skid Steer Unit:

- Universal Skid Steer Mount
- Hydraulic Protection Block
- FGT Rotor System
- Adjustable Grabber Push Bar
- Hydraulic Lines for Motor Drive (Includes Quick Disconnect Fittings)

Model	Overall Width	Working Width	Body Style	GPM	Weight	Rotor Bearings	Fixed Motor List Price	Variable Motor List Price
BH62SS	63"	50"	Skid Steer	24 - 45	2350 lbs.	ST65mm	\$26,990	\$29,490
BH74SS	74"	61"	Skid Steer	24 - 45	2650 lbs.	ST65mm	\$29,390	\$31,990
BH85SS	85"	72"	Skid Steer	24 - 45	2800 lbs.	ST65mm	\$32,990	\$35,790

Factory Installed Options:	BH62SS	BH74SS	BH85SS
DCR Rotor w/Viking Axe only	\$2,990	\$3,090	\$4,190
HDT Rotor w/Double Carbide Tools	\$635	\$675	\$725
Hydraulic Rotor Brake (63cc or 107cc motor)	\$645	\$645	\$645
Pressure Gauge In Motor Cover for BH62SS, BH74SS, BH85SS	\$375	\$375	\$375

Factory Installed Options: (separate option on the order)	BH62SS	BH74SS	BH85SS
Trap door with auxiliary low flow control	\$2,490	\$2,490	\$2,490
Trap door with single function electric hydraulic valve control	\$3,290	\$3,290	\$3,290
Trapdoor Configuration with Bobcat controller	\$2,590	\$2,590	\$2,590

## NOTE:

1. Prices include installation at factory on new units.
2. Fecon Bull Hog® mulchers are rated up to 6000 PSI.
3. Buyer is responsible for ensuring carrier has enough low flow circuits and controls for options.
4. Actual Weights will vary based on options selected.
5. Please see "Bull Hog® Tooling Pricing" for individual tooling upgrade pricing.



Safety is the responsibility of the operator, always ensure your carrier's safety features, including ROPs & FOPs, meet your job safety requirements.

Prices and specifications subject to change without notice.

Auxiliary equipment options or attachments not listed, may be quoted upon request.

Operator cab must be protected with properly maintained ½" Lexan glass or equal.

Certain guarding and features may have been removed for illustrative purpose, always run with proper guarding.



# Fecon® Bull Hog® Hydraulic Ground Pricing

## Included with Hydraulic Ground Units:

- Hydraulic Motor(s)
- Push Bar (Configuration Will Vary By Model)
- Hydraulic Protection Kit
- Internal Plumbing
- Integrated Mount (For Most Carriers)
- Trap Door (On Most Models)



Model	Overall Width	Work Width	Body Style	Trap Door	Max HP	GPM	Rotor Bearing	Motors	Weight	List Price
BH74SD-3 (SS mount)	76"	61"	CSD	Optional	175	27 – 50	SD65mm	1 x 107V	2750 lbs.	\$34,990
BH74SD-4 (SS mount)	76"	61"	CSD	Optional	225	50 – 65	SD65mm	1 x 160V	2800 lbs.	\$39,590
BH85SD-3 (SS mount)	87"	72"	CSD	Optional	175	27 – 50	SD65mm	1 x 107V	2970 lbs.	\$36,890
BH85SD-4 (SS mount)	87"	72"	CSD	Optional	225	50 – 65	SD65mm	1 x 160V	3050 lbs.	\$42,990
BH120H-3	100"	86"	SD	Yes	300	50–100	SD65mm	2 x 107V	4800 lbs.	\$70,990
BH120H-4	100"	86"	SD	Yes	310	100-140	SD65mm	2 x 160V	4950 lbs.	\$77,990
BH200HDX-3	102"	85"	SD	Yes	400	50–100	SD90mm	2 x 107V	5870 lbs.	\$80,990
BH200HDX-4	102"	85"	SD	Yes	400	100-150	SD90mm	2 x 160V	5970 lbs.	\$84,990
BH230HDX-3	117"	100"	SD	Yes	400	50–100	SD90mm	2 x 107V	6750 lbs.	\$85,490
BH230HDX-4	117"	100"	SD	Yes	400	100-150	SD90mm	2 x 160V	6850 lbs.	\$87,990
BH300HDX-3	109"	89"	SD	Yes	350	80–100	SD90mm	2 x 107V	7710 lbs.	\$96,490
BH300HDX-4	109"	89"	SD	Yes	600	100–150	SD90mm	2 x 160V	7850 lbs.	\$99,990
BH300HDX-5	109"	89"	SD	Yes	600	180–210	SD90mm	2 x 280V	7950 lbs.	\$116,990

Factory Installed Options:	List Price
Hydraulic Tilting Push Bar for BH120H – BH350H Models	\$2,750
DCR Rotor w/Viking Axe only for BH74 – All Configurations	\$3,090
DCR Rotor w/Viking Axe only for BH85 – All Configurations	\$4,190
DCR Rotor w/Viking Axe only BH120 – All Configurations	\$5,190
DCR Rotor w/Viking Axe only BH200 – All Configurations	\$5,590

Factory Installed Options: (separate option on the order)	List Price
Trap Door for BH74SD, BH85SD	\$2,490

## NOTES:

1. Maximum flow is based on 6000 PSI operating pressure. Consult factory for custom configurations.
2. Motors with "V" denote variable displacement motor. Variable displacement motors afford benefit within rated GPM.
3. Actual weights will vary based on motor, mount and options selected.
4. Please see "Bull Hog® Tooling Pricing" for individual tooling upgrade pricing.
5. Labor, parts or materials required for field installations not included. Does not include plumbing to the carrier or controls to activate tilt function. Includes hydraulic tilt cylinders and rake teeth on push bar; all installed at factory.

Safety is the responsibility of the operator, always ensure your carrier's safety features, including ROPs & FOPs, meet your job safety requirements.

Prices and specifications subject to change without notice.

Auxiliary equipment options or attachments not listed, may be quoted upon request.

Operator cab must be protected with properly maintained ½" Lexan glass or equal.

Certain guarding and features may have been removed for illustrative purpose, always run with proper guarding.



Effective January 1, 2019 Through June 30, 2019

# Fecon® Bull Hog® PTO Pricing

## Included with PTO Units:

- Three-Point Hitch
- Push Bar
- Hydraulic Trap Door
- Hydraulic Top Link
- PTO Shaft
- Slip Clutch and Over Running Clutch (in most models)



Model	Width	Work Width	Body Style	Trap Door	Push Bar	HP	PTO RPM	PTO Shaft	Gear Box	Rotor Bearing	Clutch	Weight	List Price
BH74	74"	61"	ST	Yes	PPB	80-90	540	1.375"	Rigid	ST65mm	On PTO Shaft	2800 lbs.	\$29,890
BH74	74"	61"	ST	Yes	PPB	90-40	1000	1.375"	Rigid	ST65mm	On PTO Shaft	2800 lbs.	\$29,890
BH85	85"	72"	ST	Yes	PPB	80- 90	540	1.375"	Rigid	ST65mm	On PTO Shaft	3000 lbs.	\$30,990
BH85	85"	72"	ST	Yes	PPB	90-140	1000	1.375"	Rigid	ST65mm	On PTO Shaft	3000 lbs.	\$30,990
BH99	101"	86"	ST	Yes	PPB	90-140	1000	1.75"	Rigid	ST65mm	On PTO Shaft	3800 lbs.	\$36,990
BH120-P	100"	86"	SD	Yes	HYB	140-185	1000	1.75"	Pivoting	SD65mm	On PTO Shaft	4900 lbs.	\$55,990
BH200-PX	102"	85"	SD	Yes	HYB	140-450	1000	1.75"	Pivoting	SD90mm	Inside Head	6000 lbs.	\$67,990

Factory Installed Options: (within top level part number)	List Price
DCR Rotor w/Viking Axe only for BH74 – All Configurations	\$3,090
DCR Rotor w/Viking Axe only for BH85 – All Configurations	\$4,190
DCR Rotor w/Viking Axe only for BH99-120 – All Configurations	\$5,190
DCR Rotor w/Viking Axe only for BH200 – All Configurations	\$5,590
Gearbox Cooler Option for over 300 HP	\$5,490

## NOTE:

1. BH200 unit requires gear box cooling over 300HP. Call for quote.
2. BH200 unit comes equipped as standard with hydraulic tilting push bar.
3. Models with "P" in the model name have a pivoting gear box and synchronization bar.
4. Models without "P" in model name have fixed-position gear boxes.
5. Actual Weights will vary based on options selected.
6. Please see "Bull Hog® Tooling Pricing" for individual tooling upgrade pricing.
7. Labor, parts or materials required for field installations not included. Does not include plumbing to the carrier or controls to activate tilt function.

Safety is the responsibility of the operator, always ensure your carrier's safety features, including ROPs & FOPs, meet your job safety requirements. Prices and specifications subject to change without notice. Auxiliary equipment options or attachments not listed, may be quoted upon request. Operator cab must be protected with properly maintained ½" Lexan glass or equal. Certain guarding and features may have been removed for illustrative purpose, always run with proper guarding.



Effective January 1, 2019 Through June 30, 2019

# Fecon® Bull Hog® Excavator Pricing

## Included with Excavator Units:

- Hydraulic Motor(s)
- Hydraulic Protection Kit
- Internal Plumbing From Motor(s) to The Bulkhead and Protection Block
- Mount Riser For Weld-On or Pin-On Mount Plate
- Weld-On or Bolt-On Mount

Model	Overall Width	Work Width	GPM	Rotor Bearing	Motors	Weight	EXC Class***	List Price
FMX36	44"	36"	12-40 @ 4,000 PSI	ST65mm	1 x 45V	850 lbs.	5 -10 t	\$16,890
FMX50	58"	50"	12-40 @ 4,000 PSI	ST65mm	1 x 45V	1050 lbs.	5 -10 t	\$17,990
CEM36(*) (**)	46"	36"	17 - 30	ST65mm	1 x 55V*	1475 lbs.	7 - 15 t	\$23,990
<b>Standard Duty</b>								
BH47EXC-2V	50"	37"	27 - 50	ST65mm	1 x 107V	2400 lbs.	12 - 20 t	\$40,990
BH62EXC-2V	63"	50"	27 - 50	ST65mm	1 x 107V	2650 lbs.	12 - 20 t	\$42,490
BH62EXC-3V	63"	50"	40 - 70	ST65mm	1 x 160V	2750 lbs.	12 - 20 t	\$46,490
<b>Severe Duty</b>								
BH40EXC-1-2-SDV**	51"	36"	30 - 50	SD65mm	1 x 107V	3150 lbs.	15 - 40 t	\$45,990
BH40EXC-3-SDV**	51"	36"	40 - 70	SD65mm	1 x 160V	3250 lbs.	15 - 40 t	\$50,490
BH80EXC-1 SDV	71"	56"	38 - 50	SD65mm	1 x 107V	3950 lbs.	20 - 40 t	\$53,290
BH80EXC-2-3-SDV**	71"	56"	50 - 75	SD65mm	1 x 160V	4100 lbs.	20 - 40 t	\$64,490
BH80EXC-4-SDV**	71"	56"	50 - 105	SD65mm	2 x 107V	4050 lbs.	20 - 40 t	\$66,890
BH80EXC-5SDV	71"	56"	80-105	SD65mm	2x160V	4300 lbs.	20 - 40 t	\$70,490
BH200EXCXD-2-SDV**	77"	59"	50 - 75	SD90mm	1 x 160V	5400 lbs.	20 - 40 t	\$64,290
BH200EXCXD-3-SDV**	77"	59"	50 - 105	SD90mm	2 x 107V	5375 lbs.	20 - 40 t	\$70,990
BH200EXCXD-4-SDV**	77"	59"	100-150	SD90mm	2 x 160V	5500 lbs.	20 - 40 t	\$74,990

1. Maximum flow is based on 6000 PSI operating pressure. Consult factory for custom configurations.
2. Hydraulic horse power should not exceed maximum rated horse power.  $(GPM \times PSI)/1714 = \text{HYD HP}$
3. Models ending in "V" denote variable displacement motor.

Safety is the responsibility of the operator, always ensure your carrier's safety features, including ROPs & FOPs, meet your job safety requirements.

Prices and specifications subject to change without notice.

Auxiliary equipment options or attachments not listed, may be quoted upon request.

Operator cab must be protected with properly maintained ½" Lexan glass or equal.

Certain guarding and features may have been removed for illustrative purpose, always run with proper guarding.



# Fecon® Bull Hog® Excavator Pricing

<b>Factory Installed Options: (add to mulcher pricing)</b>	
DCR Rotor w/ Viking Axe only for CEM36	\$1,890
DCR Rotor w/ Viking Axe only for BH40, BH47	\$1,890
DCR Rotor w/ Viking Axe only for BH62EXC	\$2,890
DCR Rotor w/ Viking Axe only for BH80EXC	\$3,090
DCR Rotor w/ Viking Axe only for BH200EXC	\$3,490
Thumb Receiver: BH40 & BH80 - Severe duty models only. Use existing excavator thumb in conjunction with this to pick up and move logs, rocks, and debris.	\$2,190

<b>Factory Installed Options: (separate line item on the order)</b>		<b>List Price</b>
CEM Thumb Receiver	Rigid end plate angled and reinforced to receive excavators thumb. Use existing excavator thumb in conjunction with this to pick up and move logs, rocks, and debris.	\$1,090
Universal Adaptor Plate	Pins onto riser of head with flat top. Optional mount or quick coupler can be welded.	Call for Price
Lexan Kit	½" Excavator cab forestry guard	\$2,190
12-50 Ton Mount	Mount specs determine part number for mount.	\$2,690
CEM36 Mount	Mount specs determine part number for mount.	\$1,575
FMX Mount	Mount specs determine part number for mount.	\$1,325
Non – Standard Mount	Excavators that require non-standard mounts may require an upcharge	Call for Price

<b>Optional Deduction: (within top level part number)</b>	
12-50 Ton Mount deduction from list price	( \$1,990 )
CEM36 Mount deduction from list price	( \$750 )
FMX Mount deduction from list price	( \$650 )

1. t = Metric Ton
2. Actual weights will vary based on motor, mount and options selected.
3. FMX and CEM36 weight includes typical mount. All other models do not reflect weight of mount. Mounts can average 350 lbs. Quick Attach mounts for excavators over 25 tons can weigh significantly more.
4. Please see "Bull Hog® Tooling Pricing" for individual tooling upgrade pricing.
5. \*CEM36 55cc variable displacement motor affords shift benefit up to 24gpm. Flows from 25-30 gpm operate at full displacement.
6. \*\*Designates mulching attachment capability of adding the CEM thumb receiver option.
7. \*\*\* Common excavator suggestions are preliminary; always consult your excavator's actual lifting capacity.

Safety is the responsibility of the operator, always ensure your carrier's safety features, including ROPs & FOPs, meet your job safety requirements. Prices and specifications subject to change without notice. Auxiliary equipment options or attachments not listed, may be quoted upon request. Operator cab must be protected with properly maintained ½" Lexan glass or equal. Certain guarding and features may have been removed for illustrative purpose, always run with proper guarding.





# Fecon® Power Pack Pricing

Model	Description	Hydraulic Flow	Weight	List Price
BHP-270 Tier IV	270hp Cummins	105 gpm	10,815lbs / 4905kgs	\$132,500

BHP270 20 ton & up
BH80EXC-4SDV
BH200XD-3SDV
BH200XD-4SDV
SH360-100

**NOTE:**

1. Refer to Bull Hog® and Stump Hog® price pages for excavator attachment pricing.
2. Bull Hog® Excavator and BHP prices do not include installation, line groups or excavator guarding.
3. Completed Fecon® data forms are required to keep the project on schedule and to help streamline installation.
4. Always consider the weight of the attachment with the carrier.
5. Additional counterweight may be required for BHP installation on some excavators. Consult your Fecon® representative for pricing and applications.



Safety is the responsibility of the operator, always ensure your carrier's safety features, including ROPs & FOPs, meet your job safety requirements. Prices and specifications subject to change without notice. Auxiliary equipment options or attachments not listed, may be quoted upon request. Operator cab must be protected with properly maintained ½" Lexan glass or equal. Certain guarding and features may have been removed for illustrative purpose, always run with proper guarding.



# Fecon® Bull Hog® Tooling Pricing

Rotor Type	Tool Description	Part Number	Additions or Deductions to Convert Rotor from Standard Tools				
HDT	Standard Double Carbide HDT Tool	BH46HDT01A	<b>Tool Quantity in Head</b>				
HDT	Chipper Knife Holder, HDT	BH46HM017					
HDT	Chipper Knife	BH46HM028.02	<b>18</b>	<b>24</b>	<b>30</b>	<b>36</b>	<b>48</b>
HDT	Chipper Knife & Holder Assembly, HDT	N/A	-\$36	-\$48	-\$60	-\$72	-\$96
HDT	Single Carbide HDT Tool	BH46HDT02A	-\$125	-\$170	-\$210	-\$250	-\$340
HDT	Stone/Rock HDT Tool	BH46HDT03A	+\$250	+\$335	+\$420	+\$500	+\$670
HDT	Rotorvator Tool (Soil Hog)	BH46HDT04V	+\$250	+\$335	+\$420	+\$500	+\$670
FGT	Tool, FGT Standard Duty	320-15-012	-	-	-	-	-
FGT	Samurai Knife Tool Knife	320-14-205	-\$860	-\$1,150	-\$1,440	-\$1,720	-\$2,300
FGT	Viking Sword	320-14-212	-\$790	-\$1,055	-\$1,320	-\$1,580	-\$2,110
FGT	Tool, FGT Severe Duty	320-15-011	+\$550	+\$720	+\$900	+\$1,100	+\$1,440
FGT	Tool, Stone	320-15-013	+\$1,140	+\$1,520	+\$1,900	+\$2,280	+\$3,040

	<b>FGT</b>									<b>DCR</b>				<b>HDT</b>				
No. of Tools per Rotor	BH62	BH74	BH85	BH99	BH120	BH200	BH300	BH350	CEM36	BH 40EXC	BH 47EXC	BH 62EXC	BH 80EXC	BH 200EXC				
<b>FGT</b>	24	30	36	48	48	48	48	48	18	18	18	24	30	36				
<b>DCR</b>	24	30	36	n/a	42	41	48	n/a	16	16	16	24	30	28				
<b>HDT</b>	24	30	36	48	48	48	48	n/a	18	18	18	24	30	30				

Safety is the responsibility of the operator, always ensure your carrier's safety features, including ROPs & FOPs, meet your job safety requirements. Prices and specifications subject to change without notice. Auxiliary equipment options or attachments not listed, may be quoted upon request. Operator cab must be protected with properly maintained ½" Lexan glass or equal. Certain guarding and features may have been removed for illustrative purpose, always run with proper guarding.



# Fecon® FTX150 & FTX150R Pricing

Description	List Price
FTX150 base machine with 20" single grouser tracks	\$205,250
FTX150 base machine with Fecon mulcher combo discount(*)(**)	\$182,990
FTX150R base machine	\$218,250
FTX150R base machine with Fecon mulcher combo discount(*)(**)	\$195,990

## FTX150 – Specifications



Specifications	
Engine	Cummins QSB4.5 Tier 4f
Horse Power	140 hp / 104KW
Ground Pressure with Bull Hog	3.7 psi / 26 kpa
Weight with Bull Hog	18,589lbs / 8431kg
Fuel Consumption	5 - 6 gph / 20-24 lph
Implement Drive	5000psi/60gpm 345bar/227lpm
Reversing Fan	Engine & Hydraulic Cooler

## FTX150R – Specifications

Specifications	
Engine	Cummins QSB4.5 Tier 4f
Horse Power	140 hp / 104KW
Ground Pressure with Bull Hog	4.6 psi / 31 kpa
Weight with Bull Hog	19,620lbs / 8,899kg
Fuel Consumption	5 - 6 gph / 20-24 lph
Implement Drive	5000psi/60gpm 345bar/227lpm
Reversing Fan	Engine & Hydraulic Cooler

## FTX150 & 150R – Factory Installed Options

Part Number	Description	List Price
FTX150(or FTX150R)-OPT-003	15,000 Line Pull Hydraulic Winch	\$ 8,920
FTX150(or FTX150R)-OPT-004	Auxiliary Engine and Hydraulic Heater	\$ 7,975
FTX150(or FTX150R)-OPT-005	Remote Pressure Adjustment (in Cab)	\$ 1,675
FTX150(or FTX150R)-OPT-007	Severe Duty HVAC Pre-Cleaner	\$ 1,975
FTX150(or FTX150R)-OPT-008	Positive Air Shut Off Valve Factory Installed	\$ 3,145
Ref Tractor Part #	20" Triple Grouser Track Shoes	\$ 2,875

Safety is the responsibility of the operator, always ensure your carrier's safety features, including ROPs & FOPs, meet your job safety requirements. Prices and specifications subject to change without notice. Auxiliary equipment options or attachments not listed, may be quoted upon request. Operator cab must be protected with properly maintained ½" Lexan glass or equal. Certain guarding and features may have been removed for illustrative purpose, always run with proper guarding.





## FTX150 & 150R – Attachments and Attachment Options

Model	Description	List Price
BH85SD-4	BH85SD w/ 160 Variable Speed Motor	\$42,990
FBSD1500	Dual Acting Tree Shear	\$17,590
FRG72	Root Grapple 72"	\$3,990
FBG72	Grapple Bucket 72"	\$4,190
FFG60	Front Rotating Grapple 60" w/o Winch	\$11,900
SH280	Stump Grinder, FTX150 or FTX150R	\$24,990
FRM76C	Fecon Deck Mower FTX150 or 150R***	\$12,990

### NOTES:

- Options on Bull Hog may require additional valve and hose kit; see Bull Hog Skid Steer page for options.
- \*Only available when sold with a BH85SD-4 head attached.
- \*\* Cannot be combined with any other special offers.
- \*\*\* Requires remote pressure adjustment (in cab).

Safety is the responsibility of the operator, always ensure your carrier's safety features, including ROPs & FOPs, meet your job safety requirements.

Prices and specifications subject to change without notice.

Auxiliary equipment options or attachments not listed, may be quoted upon request.

Operator cab must be protected with properly maintained ½" Lexan glass or equal.

Certain guarding and features may have been removed for illustrative purpose, always run with proper guarding.



# Fecon® FTX300 Pricing

Description	List Price
FTX300 base machine with 30" single grouser tracks	\$409,930
FTX300 base machine base machine with Fecon mulcher combo discount(*)(**)	\$379,930

## FTX300 – Specifications



Specifications	
Engine	Cummins B6.7 Tier IV Stage 5
Horse Power	310 hp/ 231 KW
Ground Pressure with Bull Hog	3.9 psi / 26 kpa
Weight with Bull Hog and winch	31,750 lb / 14,696 kg
Fuel Consumption	8-12 gph 30-45 lph
Implement Drive	5600psi/115gpm 386bar/435lpm
Reversing Fan	Engine and Hydraulic

## FTX300 – Factory Installed Options

Part Number	Description	List Price
FTX300-OPT-001	Winch Option 15,000lb hydraulic	Included
FTX300-OPT-002	Aux Engine and Hyd heater option	\$5,400
FTX300-OPT-004	Positive Air Shut Down Option	\$4,900
FTX300-OPT-010	Fire Suppression System	\$6,300

## FTX300 – Attachments

Model	Description	List Price
Phase II BH120-4	BH 120- Bull Hog with 2 x 160cc Variable Speed Motors***	\$77,990
Reference Part #	Hydraulic Tilting Push Bar For BH99H – BH350H Models	\$2,750

**NOTE:**

1. \*Only available when sold with a Phase II BH120H-4 head attached.
2. \*\* Cannot be combined with any other special offers.
3. \*\*\*Hydraulic push bar required.

Safety is the responsibility of the operator, always ensure your carrier's safety features, including ROPs & FOPs, meet your job safety requirements. Prices and specifications subject to change without notice. Auxiliary equipment options or attachments not listed, may be quoted upon request. Operator cab must be protected with properly maintained ½" Lexan glass or equal. Certain guarding and features may have been removed for illustrative purpose, always run with proper guarding.



# Fecon® FTX400LGP Pricing

Description	List Price
FTX400LGP base machine with 30" single grouser tracks	\$448,400
FTX400LGP base machine with Fecon mulcher combo discount(*)(**)	\$425,400

## FTX400LGP – Specifications



Specifications	
Engine	Cummins QSM 11 Tier III
Horse Power	403 hp / 300 kW
Ground Pressure with Bull Hog	3.8 psi / .267 kg/cm <sup>2</sup>
Weight with Bull Hog	34,196 lbs. / 15,511 kg
Fuel Consumption	18-22 gph / 68-83 lph
Implement Drive	5600 psi / 152 gpm 386bar / 575 lpm
Reversing Fan	Engine and Hydraulics

## FTX400LGP – Factory Installed Options

Part Number	Description	List Price
FTX400LGP-OPT-001	30,000 lb. Line Pull Hydraulic Winch	\$9,990
FTX400LGP-OPT-002	Arctic Weather Package***	\$9,890
FTX400LGP-OPT-005	Positive Air Shut Off Valve	\$3,990

## FTX400LGP – Attachments

Model	Description	List Price
BH200HXD-4	BH200 Bull Hog with 2 x 160cc Variable Speed Motors****	\$84,990
BH300HXD-4	BH300 Bull Hog with 2 x 160cc Variable Speed Motors****	\$99,990
Reference Part #	Hydraulic Tilting Push Bar For BH99H – BH350H Models	\$2,750

### NOTE:

- \*Only available when sold with a BH200HXD-4 or BH300HXD-4 head attached.
- \*\* Cannot be combined with any other special offers.
- \*\*\*Auxiliary engine and hydraulic heater, engine shut off valve and cold weather oils.
- \*\*\*\*Hydraulic push bar required.

Safety is the responsibility of the operator, always ensure your carrier's safety features, including ROPs & FOPs, meet your job safety requirements. Prices and specifications subject to change without notice. Auxiliary equipment options or attachments not listed, may be quoted upon request. Operator cab must be protected with properly maintained ½" Lexan glass or equal. Certain guarding and features may have been removed for illustrative purpose, always run with proper guarding.



## Fecon® Stump Hog Pricing

Grind stumps with extreme mobility using compact track loaders or skid steers, or work large areas and difficult slopes with an excavator mounted stump grinder. Fecon's SH270 is the ideal Stump Hog for high horse power and high flow skid steers. The SH360 Excavator Stumper mounts to any 20+Ton excavators via a bolt-on mount custom fit to the particular excavator. Hydraulics and drive train can be set up for the power provided by the excavator in the 40-65gpm range and up to 5500psi. For ultimate performance the SH360 can be set up for the BHP270 self-contained Powerpacks with Fecon Power Management that deliver 65-105gpm.



## Fecon® Stump Hog Pricing

Model	Hydraulic HP	Flow @ PSI	Wheel Diameter	Wheel # of Tools	Sweep	Weight	List Price
SH270*	70-100	30-50 gpm @ 4100 psi	25"	24	60"	1700 lbs.	\$18,590
SH280**	125	50-60 gpm @ 4600psi	28"	24	60"	2000 lbs	\$24,990

Note: Mount and Hoses included

## Fecon® Excavator Stump Hog Pricing

Model	Wheel Diameter	Wheel # of Tools	Weight	Motor	Flow	Hoses	List Price
SH360-45	36"	15	2500 lbs.	150 cc	40-50	No	\$41,490
SH360-61	36"	15	2500 lbs.	150 cc	50-64	No	\$41,490
SH360-100	36"	15	2600 lbs.	250 cc	95-105	No	\$43,990

**NOTE:**

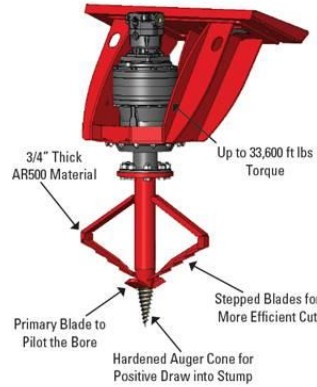
1. \*Cab controller is included.
2. \*\*SH280 is for the FTX128 only

Safety is the responsibility of the operator, always ensure your carrier's safety features, including ROPs & FOPs, meet your job safety requirements. Prices and specifications subject to change without notice. Auxiliary equipment options or attachments not listed, may be quoted upon request. Operator cab must be protected with properly maintained ½" Lexan glass or equal. Certain guarding and features may have been removed for illustrative purpose, always run with proper guarding.



# Fecon® Stumpex Pricing

The Fecon Stumpex stump grinder mounts to excavators and skid steers, with as little as 20 gpm hydraulic output. The Stumpex low RPM and 33,600 ft. per lb. of torque enables it to draw itself down into any species of stump. The Stumpex can draw into stumps 8” – 28” in diameter and up to 20” deep in a single pass. Larger diameter stumps are processed by making additional passes. A threaded replaceable cone and staggered AR500 cutting blades grind out stump and root material with minimal discharge. Low maintenance costs, high production, and less clean-up make the Stumpex a great opportunity for stump grinding contractors in land clearing, tree care, and municipal applications.



Flow	Speed	Depth /Min
GPM	RPM	3/4" Bit
20	7.3	5.5"
24	8.8	6.6"
28	10.2	7.7"
32	11.7	8.8"
36	13.1	9.8"
40	14.7	11"
42	16.1	12.1"

## Fecon® Stumpex

Model	Mount	Bit Diameter	Weight	Exc Class	Flow Required	List Price
SHX33SS	SS	32"	1,368 lbs.	N/A	20 -42 gpm	\$20,990
SHX33EXC	EXC	32"	1,368 lbs.	8-12 t	20 -42 gpm	\$20,990
SHX33 Backhoe	Back hoe	32"	1368 lbs.		20-42 gpm	\$20,990
SHX34EXC	EXC	32"	2,000 lbs	12 – 20 t	40-65 gpm	\$27,990
Mount cost EXC or Backhoe		-	-	-	-	\$2,875

**Note:**

1. Stumpex is rated up to 4,000 PSI
2. Excavator and backhoe applications require reverse flow
3. Excavator and backhoe mounts may vary the weights shown

Safety is the responsibility of the operator, always ensure your carrier's safety features, including ROPs & FOPs, meet your job safety requirements. Prices and specifications subject to change without notice. Auxiliary equipment options or attachments not listed, may be quoted upon request. Operator cab must be protected with properly maintained ½" Lexan glass or equal. Certain guarding and features may have been removed for illustrative purpose, always run with proper guarding.





Effective January 1, 2019 Through June 30, 2019

# Fecon® Tree Shear Pricing

Fecon® offers Tree Shears for Skid Steers, a Single Knife (FBS1400) and a Dual Knife (FBS1200 and FBS1500). Featuring strong light weight frames, fitted with adjustable AR400 steel knives. Order the excavator conversion kit to mount the 1200-1500 on smaller excavators(7-12T). The FBS1600 is a dedicated excavator model. Fecon® also offers a line of rotating excavator tree shears; The FRS line. Covering the excavators between 4.5 and 35 T. Shear, stack and load chippers with 360° rotation.



## Fecon® Skid Steer Tree Shear Pricing

Model	Weight	Max. Diameter	Flow Required	List Price
FBS1200SS – Dual Acting*	1250 lbs.	12"	15-20 gpm	\$13,990
FBS1400SS – Single Acting*	1800 lbs.	14"	15-20 gpm	\$15,290
FBSD1500SS – Dual Acting*	1900 lbs.	15"	15-23 gpm	\$17,590
FBS1200SS-BC - Bobcat	1250 lbs.	12"	15-20 gpm	\$15,990
FBSD1500SS-BC - Bobcat	1900 lbs.	15"	15-23 gpm	\$17,990

1. \*Skid steer shears include 12V diverter valve for switch between grabber and accumulator function.

## Fecon® Excavator Tree Shear Pricing

Excavator Tree Shear Kit	Weight	Description	List Price
Conversion Kit - SS to EXC	200 lbs.	Includes bolt-on mount specific to the excavator. (7-10 ton)/ FBS1400SS (8-12 ton)/ FBS1500SS (8-12 ton) universal mounts. Also includes 24V diverter valve required for excavator application.	\$3,490

Model	Weight	Max Diameter	Flow Required	List Price
FBS1600EXC*** (12 - 16 ton)	3700 lbs.	16"	15-35 gpm	\$31,390

## Fecon® Rotating Excavator Tree Shear Pricing

Model	Excavator Size	List Price
FRS04	5.5 – 9 T	\$20,990
FRS05	8 – 14 T	\$30,990
FRS10	12 – 18 T	\$41,990
FRS15	16 – 24 T	\$55,990
FRS20	21 – 35 T	\$78,900

Safety is the responsibility of the operator, always ensure your carrier's safety features, including ROPs & FOPs, meet your job safety requirements. Prices and specifications subject to change without notice. Auxiliary equipment options or attachments not listed, may be quoted upon request. Operator cab must be protected with properly maintained ½" Lexan glass or equal. Certain guarding and features may have been removed for illustrative purpose, always run with proper guarding.



# Fecon® Grapple Pricing

Fecon® offers two different lines of Grapples to fit your skid steers and tracked carriers. Grapples are the perfect forestry attachment for tree care and landscaping applications.



## Fecon® Skid Steer Grapple Rake/ Bucket Grapple Pricing

The Rake Grapple was designed with a rigid frame and serrated AR400 front tines for ripping and grabbing. This grapple is excellent for clearing brush and removing debris and logs. The 41" depth, 72" length and 37" open clamp height make this grapple perfect for grabbing and holding awkward shaped material.

Model	Weight	Width	List Price
FRG72	863 lbs.	72"	\$3,990
FBG72	850 lbs.	72"	\$4,190

## Fecon® Skid Steer Front Grapple Pricing

The Front Grapple is perfect for brush and tree removal, transporting, loading and placing logs and rocks with a skid steer. It offers a 60" opening, 360° rotation, and a load capacity of 8,990 lbs. It features a heavy duty frame for long term performance and heavily serrated contained plates to secure logs both perpendicular and parallel to the loader.

Model	Weight	Lift Capacity	Opening	List Price
FFG48	690 lbs.	6,600 lbs.	48"	\$8,890
FFG60	800 lbs.	9,900 lbs.	60"	\$11,900
FFG72	850 lbs.	9,900 lbs.	72"	\$15,990

Winch Option:	Capacity	Cable	List Price
FGW1000*	10,000 lbs.	3/8 x 100	\$5,990

**NOTE:**

- \*FGW1000 fits all skid steer front grapples.

Safety is the responsibility of the operator, always ensure your carrier's safety features, including ROPs & FOPs, meet your job safety requirements. Prices and specifications subject to change without notice. Auxiliary equipment options or attachments not listed, may be quoted upon request. Operator cab must be protected with properly maintained ½" Lexan glass or equal. Certain guarding and features may have been removed for illustrative purpose, always run with proper guarding.



# Fecon® Deck Mower

Quickly slash and mulch up to 6” material with the FRM76C. With a direct drive, 4 swinging blades and carbide teeth on the disk the FRM76C allows for fast production. Efficiently clear around trees, lakes and ponds or easily clean up road sides. Leaves a finely shredded material behind for a finished look.

- Clear dense brush and small trees down to ground level
- Ability to cut grass
- Replaceable skid shoes
- Durable push bar directs trees towards the cutter
- Available with stump grinder teeth

Model	Overall width inches / MM	Cutting width inches / MM	Weight LBS/KG	Flow	Material Size	Teeth	List Price
FRM76C	76 / 1931	72 / 1829	2100 / 953	30-45gpm @ 4500psi	4"-6"	4 double sided blades and 12 carbide stumper teeth	\$12,990



Safety is the responsibility of the operator, always ensure your carrier's safety features, including ROPs & FOPs, meet your job safety requirements. Prices and specifications subject to change without notice. Auxiliary equipment options or attachments not listed, may be quoted upon request. Operator cab must be protected with properly maintained ½" Lexan glass or equal. Certain guarding and features may have been removed for illustrative purpose, always run with proper guarding.



# Fecon® Milling Attachment Pricing

Fecon Milling Attachments are well suited to milling compacted soil, stumps, and roots, or to blend in stabilizing materials or additives to improve the soil. The Soil Hogs can also be used to fell and incorporate standing trees into the ground if desired. The soil hog is ideal for converting land back into tillable acres for alternative crops, cleaning up tree lines or windbreaks.

Rotor diameters range from 28"-40" and can mill 12"-20" deep, leaving a homogeneous mix of organic material in a light well aerated condition. PTO models are available at 110 to 440 horse power. The hydraulic powered FMA8039 can run from 400-600HP. Rotor direction can be configured to the type of carrier, primary direction of operation, and desired results. PTO models include an overrunning slip clutch and synchronized pivoting gear box that allow a broad range of motion to operate smoothly at various depths. The carbide tools effectively process wood and soil.



Model	Work Width IN/MM	Max Width IN/MM	Tool Qty	Max Depth IN/MM	Exposed Rotor Depth IN/MM	Weight LBS/KG	HP Type	Min HP	Max HP	List Price
FMA8039BH-2*	80/2000	112/2510	60	20/500	10/255	11900/4825	Hyd	300	600	\$131,290
FMA8039BP	80/2000	112/2510	60	20/500	10/255	11900/4825	PTO	200	440	\$108,990
FMA8032 PTO	80/2000	98/2490	48	16/400	9/225	8050/3650	PTO	180	300	\$101,990
FMA8028 PTO	80/2000	-	48	12/300	7.5/190	5950/2900	PTO	140	190	\$62,990
FMA9032H*	80/2000	97/2464	56	12/300	8 /205	8076/3663	Hyd	TBD	290	\$99,990

**NOTE:**

1. Compact roller standard, except FMA8039BH-2 no roller available
2. PTO models require 1000 RPM PTO input speed.
3. \* Debris door Standard on these models

Safety is the responsibility of the operator, always ensure your carrier's safety features, including ROPs & FOPs, meet your job safety requirements. Prices and specifications subject to change without notice. Auxiliary equipment options or attachments not listed, may be quoted upon request. Operator cab must be protected with properly maintained ½" Lexan glass or equal. Certain guarding and features may have been removed for illustrative purpose, always run with proper guarding.



## Fecon® Price List Key

### Bull Hog Skid Steer

- BH – Bull Hog
- SS – Skid Steer

### Bull Hog® Hydraulic Ground

- BH – Bull Hog
- H – Hydraulic
- HYB - Hybrid
- SS – Skid Steer
- SD – Severe Duty
- CSD – Compact Severe Duty
- WPB – Weld-on Push Bar
- PPB – Pin-on Push Bar
- -1 – 2 x 63cc Motors
- -2 – 2 x 80cc Motors
- -3 – 2 x 107cc Variable Displacement Motors
- -4 – 2 x 160cc Variable Displacement Motors
- -5 – 2 x 250cc Variable Displacement Motors
- XD – 90mm rotor bearing and stub shafts
- V – Variable Displacement Motor

### Bull Hog® PTO Pricing

- BH – Bull Hog
- P – Pivoting Gear Box
- X – Driveline Clutch Inside Head
- ST – Standard
- SD – Severe Duty
- PPB – Pin-on Push Bar
- HYB – Hydraulic Push Bar

### Bull Hog® Excavator Pricing

- CEM – Compact Equipment Mulcher
- BH – Bull Hog
- EXC – Excavator

- -1 – Motor Configuration
- -2 – Motor Configuration
- -3 – Motor Configuration
- -4 – Motor Configuration
- V – Variable Displacement Motor
- SD – Severe Duty
- SDV – Severe Duty Variable Displacement
- XD – 90mm Rotor Bearing and Stub Shaft
- BHP – Bull Hog Power Pack

### Tractors

- FTX – Fecon Tracked Carriers
- QD – Quick Disconnect
- L – Loader Arms
- FM – Forestry Mower
- SLGP – Super Low Ground Pressure
- RTF – rubber tire Fecon

### Stump Hog

- SH – Stump Hog

### Tree Shear

- FBS – Fecon Bunching Shear
- FRS – Fecon Rotating Shear
- SS – Skid Steer
- EXC – Excavator

### Grapple

- FRG – Fecon Rake Grapple
- FBG – Fecon Bucket Grapple
- FFG – Fecon Front Grapple
- FGW – Fecon Grapple Winch

Safety is the responsibility of the operator, always ensure your carrier's safety features, including ROPs & FOPs, meet your job safety requirements.

Prices and specifications subject to change without notice.

Auxiliary equipment options or attachments not listed, may be quoted upon request.

Operator cab must be protected with properly maintained ½" Lexan glass or equal.

Certain guarding and features may have been removed for illustrative purpose, always run with proper guarding.





Effective January 1, 2019 Through June 30, 2019

# Fecon® Extended Warranty

<b>Model</b>	<b>EXT 2/3 FM</b>	<b>EXT 3/5 FM</b>
BH74SS	\$815	\$995
BH85SD	\$1,130	\$1,390
BH120H	\$1,885	\$2,315
BH200H	\$2,175	\$2,670
BH300H	\$2,465	\$3,025
FMX36	\$465	\$570
FMX50	\$495	\$610
CEM36	\$580	\$715
BH40EXC	\$1,160	\$1,425
BH80EXC	\$1,740	\$2,135
BH200EXC	\$2,030	\$2,490
BHP270	\$2,900	\$3,560
Stumpex	\$650	\$800

<b>Model</b>	<b>EXT 2/3 PT</b>	<b>EXT 2/3 PH</b>	<b>EXT 2/3 FM</b>	<b>EXT 3/5 PT</b>	<b>EXT 3/5 PH</b>
FTX128	\$4,760	\$6,445	\$7,770	\$5,835	\$8,490
FTX290	\$8,999	\$12,190	\$14,705	\$11,040	\$16,065
FTX300	\$9,696	\$13,135	\$15,840	\$11,860	\$17,320
FTX400	\$11,315	\$15,325	\$18,485	\$13,880	\$20,195
FTX600	\$12,860	\$17,415	\$21,000	\$15,775	\$22,950
RTF230	\$6,430	\$8,710	\$10,500	\$7,885	\$11,475

EXT : extended warranty offering

2\_ : 24 months                      \_3 : 3000 hours

3\_ : 36 months                      \_5 : 5000 hours

FM: Full Machine

PH : Power Train & Hydraulic

PT : Power Train

\$0 Deductible per claim.

Parts reimbursed at MSRP.

Labor reimbursed at list price for shop rate, field labor considered at \$3.00 above the list price for shop.

Extended terms are inclusive of the 1yr./1000hr. base warranty and the 2 year engine base warranty.

Premiums above are for an optional program.

Safety is the responsibility of the operator, always ensure your carrier's safety features, including ROPs & FOPs, meet your job safety requirements. Prices and specifications subject to change without notice.

Auxiliary equipment options or attachments not listed, may be quoted upon request.

Operator cab must be protected with properly maintained ½" Lexan glass or equal.

Certain guarding and features may have been removed for illustrative purpose, always run with proper guarding.